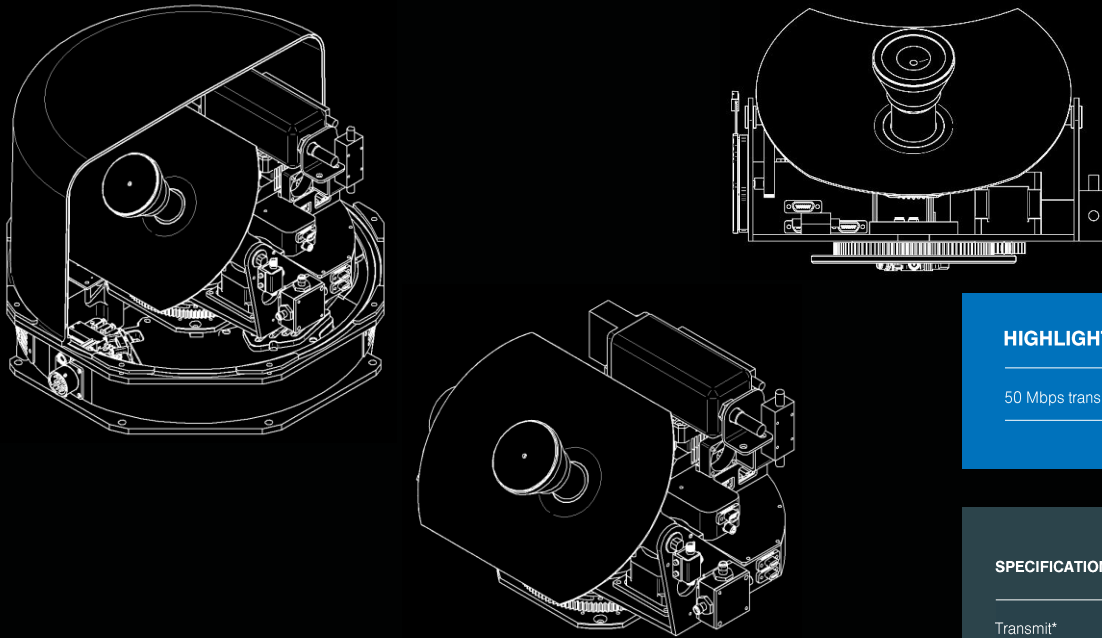


# Ovzon P20 OTM



## HIGHLIGHTS

50 Mbps transmit    140 Mbps receive

## SPECIFICATIONS

Transmit*	Up to 50 Mbps
Receive*	Up to 140 Mbps
User Interface	Web GUI
Data Interface	Ethernet (cable)
Dimensions	H/Ø
Land, maritime, airborne	220 / 295 mm, 8.7 / 11.6 in
Weight	
Land, maritime:	8.0 kg, 17.6 lb.
Airborne:	4.0 kg, 8.8 lb.
Angular Velocity ° / S	>=300
Environmental	IP66
Temperature	-20°C to +55°C, -4°F to +131°F
Power consumption	Operating 180 – 310 W
DC input**	24 VDC
AC input**	100 – 240 VAC 50/60 Hz

\*) Operating in Ovzon's service, data rate depending on location within coverage and satellite.

\*\*) Supplied by external power supply.

The Ovzon P20 is a small, ruggedized parabolic broadband satellite terminal that covers land, maritime, and airborne mobility applications.

The Ovzon P20 is ruggedized and optimized for applications on land, at sea, or in the air and for rapid deployment tasks. The terminal is ideal for use in demanding environments such as helicopters, boats, and vehicles. The Ovzon P20's shape, size, and weight make it an excellent choice for unmanned aerial vehicles (UAVs).

### Ease of use

Time is critical when operations are conducted in challenging situations. The Ovzon P20 is designed for optimal user experience and high data rate capacity. The terminal can provide the user with almost immediate connectivity (<60 seconds) to transmit data rates up to 30 Mbps and receive up to 50 Mbps.

### Ovzon SATCOM-as-a-Service includes:

- Ovzon airtime
- Ovzon terminal OTP and OTM
- Internet gateway access
- Terrestrial Backbone connectivity
- 24/7 customer support

### Ovzon Satellite Services

Ovzon offers three categories of satellite services with global reach using Ovzon's satellite network.

- **Ovzon Orion:** enabled by the Ovzon 3 On-board Processor. The service allows for the most advanced features specifically for the mission-critical applications of customers operating in the near-peer environments.
- **Ovzon Pegasus:** enabled by Ovzon 3, bringing a steerable beam service offering, specifically developed for the critical tasks of the most demanding customers.
- **Ovzon Hero:** our advanced, customized high-performance service developed for the critical tasks of the most demanding customers.

Ovzon Sweden, Anderstorpsvägen 16, SE-171 54 Solna, Sweden, Phone: +46 8 508 600 60  
 Ovzon USA, 13461 Sunrise Valley Drive, Suite 110, Herndon, VA 20171, United States, Phone: +1 703 276 3333,  
 E-mail: sales@ovzon.com, www.ovzon.com